

Research Article

Effectives of Different Shaped Dimples on a NACA Airfoil

Mostafa M. A. Khater^{1,*}, Venkatesan Govindaraj²

¹ Department Mansoura University Department of Mathematics, Faculty of Science, 35516 Mansoura, Egypt

² National Institute of Technology Puducherry, India

ARTICLE INFO

Article History

Received 14 Jun 2023

Accepted 22 Mar 2023

Published 09 Apr 2023

Keywords

Airfoils

Lift and Drag

NACA

Angle of Attack (AOA)



ABSTRACT

This research addresses changes in the aerodynamic properties of the airfoil caused by modifying the surface in the form of dimples. The first surface changes mentioned here the wing model has dimples that face inside and outward. Airfoil models that have been modified to illustrate variation lifting and dragging at varying angles of attack (AOA). Surface adjustments are made here by taking into account the various types and forms of dimples. When an airfoil reaches a certain angle of attack, dimples serve to reduce pressure drag because wake production begins owing to boundary layer separation. Dimples on an aeroplane wing function similarly to vortex producers. They cause turbulence, which slows down boundary layer splitting, decrease wake, and reduces pressure drag. It has helped to improve the lift and raise the AOA of the stall. Dimples on the surface of an aircraft wing do not considerably increase pressure drag due to the wing already has an aerodynamic form, but they may impact its aerodynamic properties when the airfoil is at AOA, which is one of the issues raised in this research. The outcomes legitimize the increment in the general lift and decrease in drag by the airfoil

1. INTRODUCTION

Nowadays, Aeroplan's provide quick and convenient international travel for passengers. Aerodynamic principles are used in the design of planes to enable flight. The air is flung down to the earth as it moves quickly over the wings, creating a lift that propels the aircraft higher. A particular kind of aluminum is used to create aeroplane wings; this alloy provides a mix of lightness and strength that is equivalent to steel and facilitates simple flight. A wing is a particular kind a fin that provides lift when it is carried by air or another fluid. Because of this, Wings feature streamlined cross sections that function like airfoils and are susceptible to aerodynamic forces.

This research analyses the possible use of different airfoil shapes to reduce induced drag in a light aircraft, hence improving aerodynamic efficiency and performance. When Rubiat et al. [1] proposes that the same dimples that make golf balls less druggable may also make airfoils less druggable. They boost aerodynamic effectiveness. One of the key factors that affects how much an aeroplane weighs and how much it costs is its aerodynamic efficiency. Livya et al. [2] investigate whether the airfoil's surface dimples accelerate flow as a result of the development of bubbles and whether a layer of boundaries changes from turbulent to laminar. They modify the terms of dimples, which create turbulence in order to delay the flow separation. The airfoil separation can be delayed since the flow was studied utilizing the dimples on the top surface. This may also dramatically vary the angle of the stall, which is important because it can be very effective at varied angles of attack [3]. Venkatesan et al. [4] consider the use of dimples to improve lift and reduce drag on the NACA 2412 airfoil. Then, to investigate aerodynamic properties, they create a dimpled geometrical shape like a square, rectangle, or triangle. In compared to a flat surface, the changed surface includes inward dimples, which reduce pressure drag while increasing lift and drag. Turbulence is created by dimples, which reduces wake and pressure drag. Lift increases and drag reduces as the angle of attack increases. The research takes into account the NACA-0012 airfoil profile as well as subsonic flows. Two wooden models with regular and dimpled surfaces have been created [5]. The optimizer optimizes the airfoil design, resulting in a significant lift coefficient rising and drag coefficient falling, demonstrating the effectiveness of genetic algorithms in complex optimization processes [6]. Using ANSYS CFX software, assess a wind turbine blade with horizontal axis and NACA 4420 for different blade angles and wind speeds. The results demonstrate that the upper surface has a higher velocity, which may cause a discontinuity. The study discovers continuous power between 22.50 and 600

*Corresponding author. Email: Mostafa.khater2024@yahoo.com

blade angles [7]. Ansys-Fluent's CFD software was used to analyze the aerodynamic performance of the GOE 387 airfoil at different angles of attack. The study found that the lift force is upward, with a larger pressure difference on the front edge and lower on the rear edge [8]. Wind turbines with enhanced rotational speed are being developed by researchers using steering aerofoils. The study investigates the turbulent effect of wind turbine aerofoils using a two-dimensional NACA4420 model. The blade with the highest L/D ratio has a 4° angle of attack, and the research intends to improve turbine performance [9]. Nigam et al. [10] in this research, Computational fluid dynamics (CFD) analysis is used to confirm the sliding ratio of the NACA airfoil 63(4)-221, a novel design for the horizontal axis wind turbine blade (HAWT) RRB V27-225 kW. The results are contrasted with previously published research, emphasizing the role of blades in HAWT aerodynamic performance. Nguyen et al. [11] The article describes computational fluid dynamics modelling and simulation procedures on an aircraft wing model utilizing the NACA 2412 airfoil. ANSYS Fluent analyzes pressure and velocity distribution, while ANSYS Structural determines lift and drag forces. The numerical results agree with the theory, offering a reliable alternative for predicting aerodynamic characteristics in Unmanned Aircraft Vehicles. Computer research looks at aerodynamic performance of a novel dragonfly corrugated airfoil with low Reynolds numbers (15000-38000). The study investigates various configurations and corrugated angles, including 12° , to achieve a greater lift to drag proportion. Simulations using Ansys CFD and ICEM CFD are conducted using a clear interface, a mesh based on a cartesian grid, and the k- model for turbulence are all examples. In comparison to flat plates and NACA 0015 aerofoils, the new design provides more lift and less drag., preventing large-scale flow separation [12]. Diksha et al. [13] investigated how dimple shape and size affect the suction surface of lift-producing aerofoils. To examine flow properties, a CAD model was developed. Surface modification was also investigated, as was a comparison investigation in a low-velocity wind tunnel. Lewthwaite et al [14] This paper examines the use of wing changes in aeronautical engineering to reduce drag. It concentrates on inclusion of a winglet and a wing with a dimple on NACA 0017 aerofoils. The study discovered that these adjustments lowered pressure by 16.31% at 82 m/s while increasing lift effects on a NACA 0017 airfoil. To improve airplane aerodynamics by lowering drag and stalling. The NACA 0018 airfoil's dimple effect generates turbulence, delays boundary layer separation, and minimizes pressure drag. The ideal dimple shape and airfoil diameter are determined via computational analysis in the study [15]. Arvind [16] have explored the aerodynamic characteristics of an airfoil by altering its size, shape, and location using computational fluid dynamics. The study reveals that using dimples can efficiently increase lift force and stall Angle of Attack. Using ANSYS 16 and the Model for k-shear stress transfer, this paper examines lift and drag forces on airfoils with different geometries, NACA0012, NACA2412, and SG6043 [17]. The turbulent flow over dimpled airfoil profiles with different an aspect ratio dimples are studied in this work. ANSYS FLUENT was used for an external flow analysis, and simulations were run to observe pressure decrease and drag [18]. An airfoil's performance is determined by parameters such as the leading-edge radius, angle of attack, and surface changes. The research looks into airfoil spread with dimples on the active surface and discovers that 30% dimples enhance velocity and pressure intents. An NACA 8412 series airfoil with 30% dimple expansion and a 15° angle of attack is the optimal design [19]. When comparing NACA 2412, NACA 4412, NACA 23012, and NACA 23112 airfoils at different angles of attack, ANSYS-Fluent and the SST K-w model were employed. [20].

2. MATERIAL AND METHODOLOGY

From the various literature studies, study the details of an airfoil before creating the model of the airfoil using SOLIDWORKS software. Then the model is imported into finite element analysis to do a simulation process. Use computational fluid dynamics analysis by Ansys software to calculate the behaviour of fluids. It is commonly used in architecture design to simulate the flow and temperature of air within rooms. Based on the analysis, a result is obtained. The materials utilized to make airfoil blade wind turbines are resistant, chipped, and lightweight. Aluminium is a versatile material with several benefits; it is renowned for being light and flexible. It can be moulded into a number of shapes and then used to carry out a range of jobs since it can be cast, melted, moulded, machined, and extruded. The manufacture of aeroplanes makes extensive use of aluminium. It is the perfect material for constructing aeroplanes due to its great resistance to corrosion and good weight-to-strength-to-cost ratio. But what makes aluminium the best metal for aviation construction is its resistance to UV degradation.

The wings of an aircraft are designed to lift it into the air. Their specific design for every given aircraft is determined by various criteria, including size, weight, usage of the aircraft, intended speed in flight and during landing, and desired rate of climb. The wing was designed using different-shaped dimples on a NACA airfoil in SolidWorks software. To create two types of dimple models, there is dimple intrusion and dimple extrusion, as shown in Figure 1 and 2.

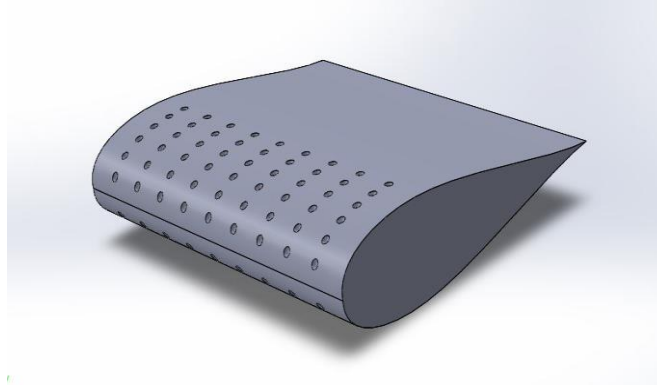


FIGURE 1. Solid Model (Dimple Intrusion)

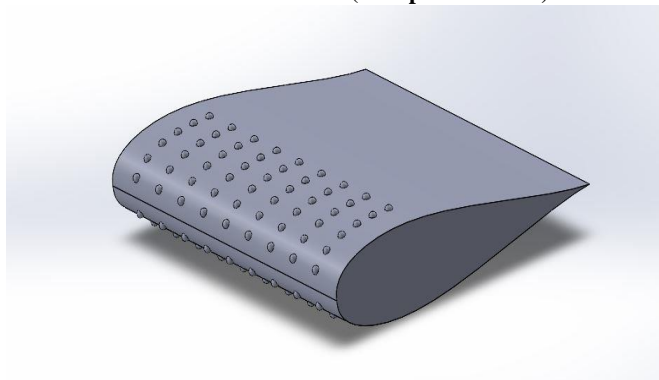


FIGURE 2. Solid Model (Dimple Extrusion)

3. FEA OF AIRFOIL

FEA is used to model physical phenomena, lessen the requirement for real prototypes, and enable component optimization throughout the design phase of a project. The process of evaluating a model involves the usage of a few measures that allow us to assess the model's performance

3.1 Computational Method

A structural model derived from a physical model is an analytical model. It is used to design and analyze structural behavior and load carrying. The key properties of suggested designs can be predicted through model analysis. However, unless we have substantial knowledge and competence with a particular sort of problem, we rarely get it right the first time. A model is shown in Figure. 3-5.

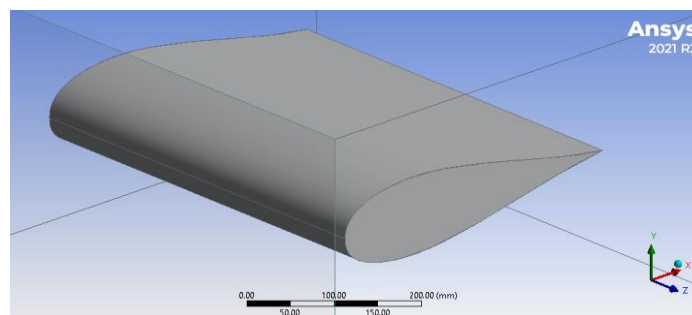


FIGURE 3. 3D Model (Without Dimple) in ANSYS

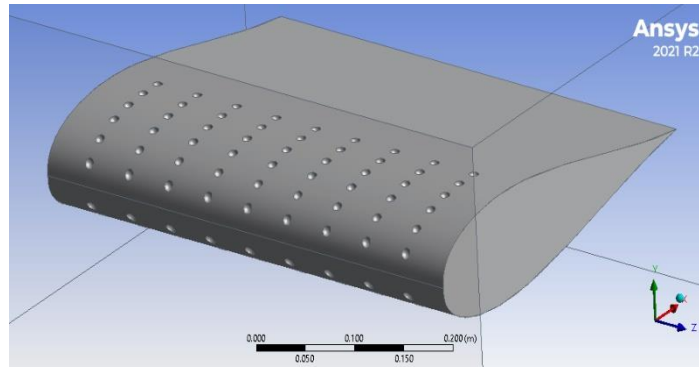


FIGURE 4. 3D Model (Dimple Intrusion) in ANSYS

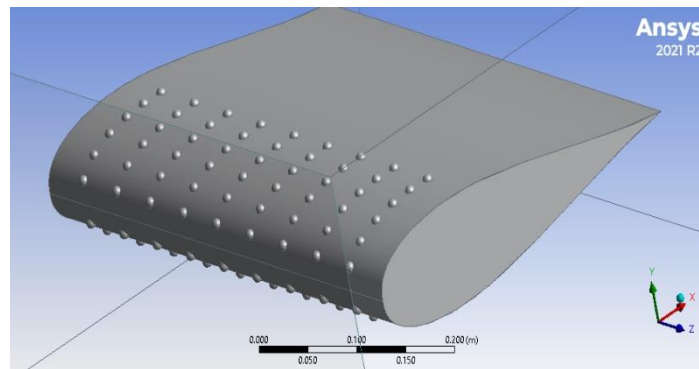


FIGURE 5. 3D Model (Dimple Extrusion) in ANSYS

3.2 Dynamical Meshing

Meshes are one of the most essential elements in 3D modeling. A mesh is essentially any item that an artist can alter to create various shapes and forms. The shape is normally produced initially when creating a mesh. In order to achieve reliable results for the created mesh, Grid dependency analysis is performed for different mesh arrangements. Mesh models as shown in Figure 6-8.

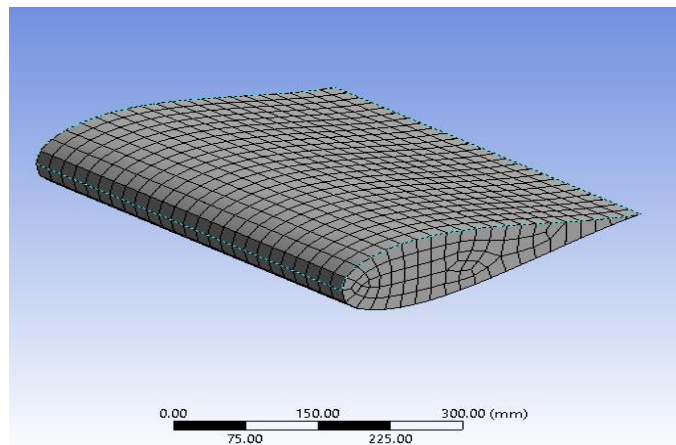


FIGURE 6. Mesh Model (Without Dimple)

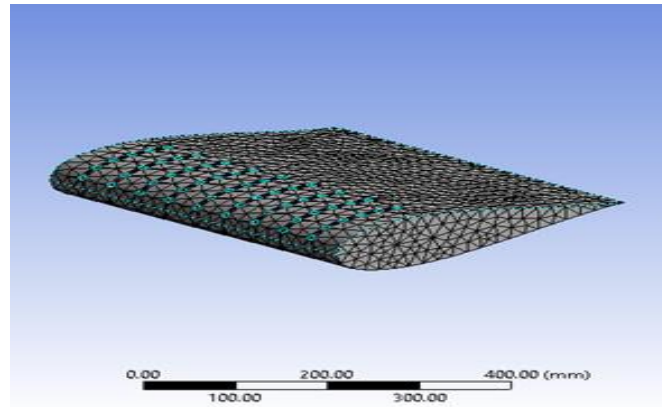


FIGURE 7. Mesh Model (Dimple Intrusion)

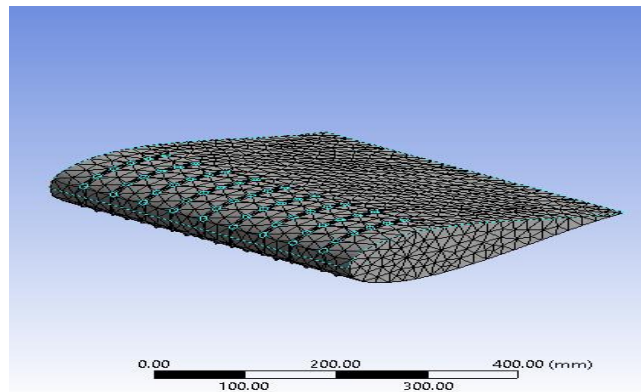


FIGURE 8. Mesh Model (Dimple Extrusion)

Then a 3D model was created using an aspect parameter ratio as shown in table 1.

TABLE 1. Input Parameters

S.NO.	PARAMETER	QUANTITY
1	Airfoil geometry	3
2	Nodes (normal)	7375
3	Elements (normal)	26164
4	Nodes (intrusion)	9565
5	Elements (intrusion)	44632
6	Nodes (extrusion)	9605
7	Elements (extrusion)	44838
8	Initial Velocity	30 m/s
9	Initial Temperature	300.15 K
10	Initial Pressure	101325 Pa

4. MATERIAL SELECTION

The materials utilized to make airfoil blade wind turbines are resistant, chipped, and lightweight. Aluminium is a strong, lightweight, and adaptable material that offers a number of advantages. It may be extruded, cast, melted, moulded, and machined, allowing it to be fashioned into a variety of shapes, then made to fulfil a variety of tasks. Aluminum is widely utilized in the production of airplanes. Because of its strong corrosion resistance and advantageous weight-to-strength-to-cost ratio, it is an ideal material for aeroplane construction. However, it is the resilience of aluminum to UV deterioration that making it the perfect metal for use in aircraft building.

5. RESULT AND DISCUSSION

The airfoil profile is analyzed to determine the values of CD and CL at various angles of attack. CFD results closely coincided with experiment results, indicating that CFD is a mature approach for forecasting test section performance at any angle of attack.

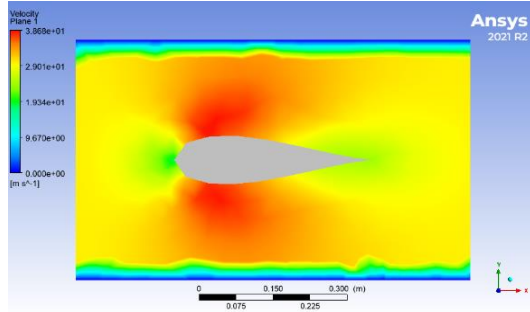


FIGURE 9. Velocity Distribution of normal Geometry

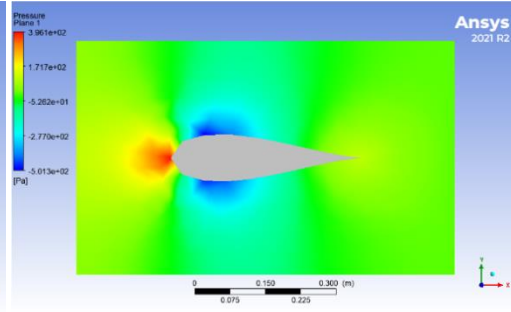


FIGURE 10. Pressure Distribution of normal Geometry

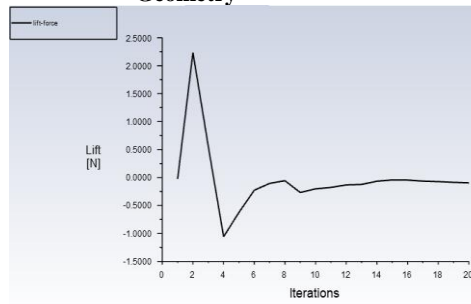


FIGURE 11. Lift Force of normal airfoil Geometry

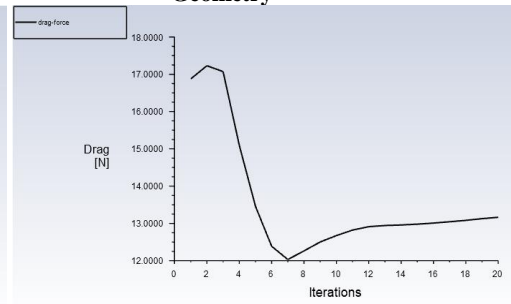


FIGURE 12. Drag Force of normal airfoil Geometry

In the above figure 9 & 10, results of velocity and pressure on the airfoil geometry has been graphically represented, and from this results, proposed model can be compared and evaluated for the better performance and efficiency. Velocity distribution of existing airfoil geometry is 3.868 m/s and pressure distribution are 396.1 Pascal. For normal airfoil geometry, lift force and drag force are expressed in the form of graph at figure 11 and 12.

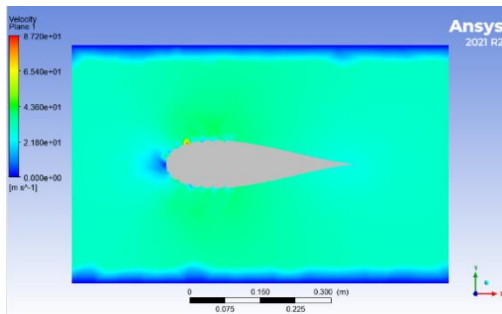


FIGURE 13. Velocity Distribution of Intrusion Dimple Geometry

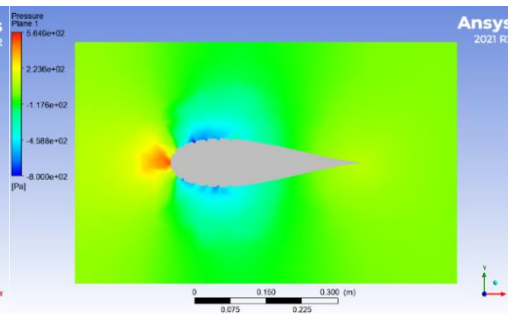


FIGURE 14. Pressure Distribution of Intrusion Dimple Geometry

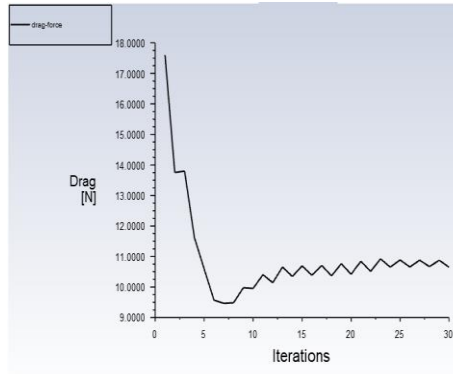


FIGURE 15. Drag force of Intrusion Dimple Geometry

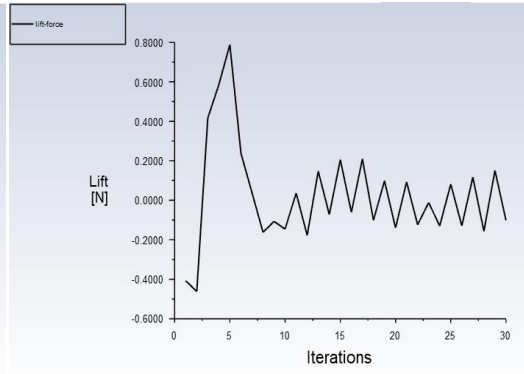


FIGURE 16. Lift Force of Intrusion Dimple Geometry

In figures 13 and 14, velocity and pressure results of airfoil geometry are represented. The maximum velocity distribution of intrusion dimple is 8.720 m/s and maximum pressure distribution of intrusion dimple is 5.649×10^2 . For dimple intrusion airfoil geometry, lift force and drag force are expressed in the form of the graph in Figures 15 and 16.

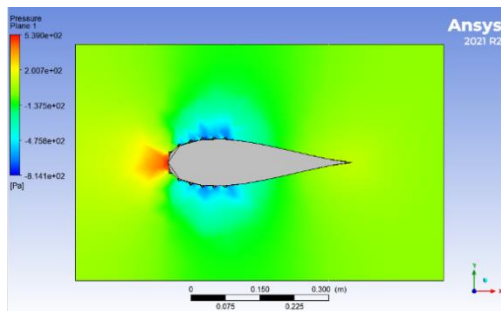


FIGURE 17. Pressure Distribution Extrusion of Dimple Geometry

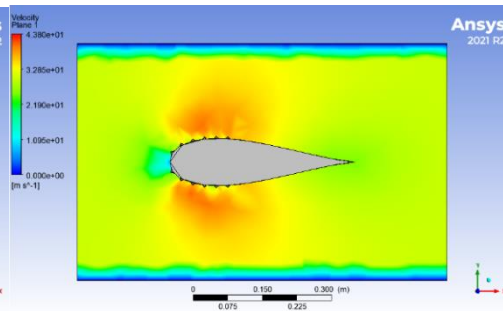


FIGURE 18. Velocity Distribution Extrusion of Dimple Geometry

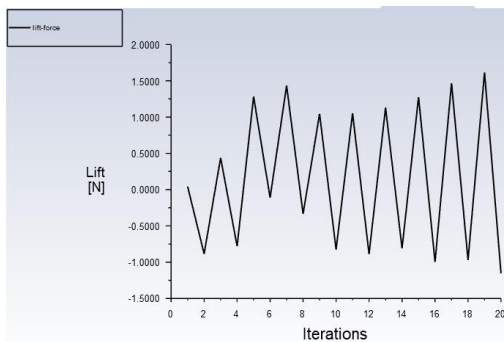


FIGURE 19. Drag Force of Extrusion Dimple airfoil Geometry

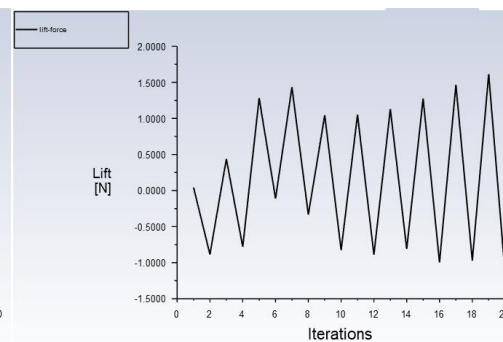


FIGURE 20. Lift Force of Extrusion Dimple airfoil Geometry

In the above figures 17 and 18, airfoil geometry's velocity and pressure results are represented. The maximum velocity distribution of extrusion dimple is 5.390 m/s and the maximum pressure distribution of extrusion dimple is 4.380 Pa. For dimple extrusion airfoil geometry, lift force and drag force are expressed in the form of graph in Figures 19 and 20.

6. CONCLUSION

In this paper, three airfoils were analyzed at a velocity of 30m/s using a basic approach. Under the precise boundary conditions for that aircraft, the highest acceptable amount of lift may be created. The lift to drag and moment coef are the most crucial values for appropriate wing aerodynamic design. According to the results of the analysis, the Airfoil (dimple incursion) has the highest pressure and velocity value. Another issue to consider when selecting airfoils for an aircraft's wing is the lift and drag force.

Nomenclature & abbreviation

NACA	National Advisory Committee for Aeronautics
AOA	Angle of Attack
CFD	Computational Fluid Dynamics
UV	Ultraviolet
FEA	Finite Element Analysis
3D	3 Dimensional
C_D	Drag Coefficient
C_L	Lift Coefficient

References

- [1] Rubiat Mustak And Tanjim Ahmed, “A Review on Surface Modification of Airfoils Using Dimples”, *International Journal of Research*, Volume 04, Issue 05, April 2017.
- [2] E. Livya, G. Anitha, P. Valli, “Aerodynamic Analysis of Dimple Effect on Aircraft Wing”, *International Scholarly and Scientific Research & Innovation*, Vol:9, No:2, 2015.
- [3] Rubiat Mustak, MD. Nizam Uddin and Mohammad Mashud, “Effect of Different Shaped Dimples on Airfoils”, *International Conference on Mechanical Engineering and Renewable Energy*, 26 – 29 November, 2015.
- [4] S.P. Venkatesan, V. Praveen Kumar, M. Sunil Kumar and Suraj Kumar, “Computational Analysis of Aerodynamic Characteristics of Dimple Airfoil NACA 2412 At Various Angles of Attack”, *International Journal of Mechanical Engineering and Technology (IJMET)*, Volume 9, Issue 9, September 2018.
- [5] Mohammad Mashud, Dipayan Mondal and Md Enamul Haque, “Experimental Investigation of An Airfoil with Multiple Dimples on The Upper Surface”, *International Conference on Mechanical Engineering and Renewable Energy*, 18 – 20 December, 2017.
- [6] Ganesh Ram R K, Yashaan Nari Cooper, Vishank Bhatia, Karthikeyan R And Periasamy C, “Design Optimization and Analysis of NACA 0012 Airfoil Using Computational Fluid Dynamics and Genetic Algorithm”, *Applied Mechanics and Materials* Vol. 664 (2014).
- [7] Monir Chandrala, Abhishek Choubey, Bharat Gupta, “Aerodynamic Analysis of Horizontal Axis Wind Turbine Blade”, *International Journal of Engineering Research and Applications (IJERA)*, Vol. 2, Issue6, November-December 2012.
- [8] Mohamed A. Fouad Kandil, Abdelrady Okasha Elnady, “Performance Of GOE-387 Airfoil Using CFD”, *International Journal of Aerospace Sciences* 2017, 5(1).
- [9] S. Jebarose Juliyana, P. Pallavi, K. Karthik and M. Saleem, “Design and Analysis of Naca4420 Wind Turbine Aerofoil Using CFD”, *International Journal of Mechanical Engineering and Technology (IJMET)*, Volume 8, Issue 6, June 2017.
- [10] Nigam P K, Nitin Tenguria and Pradhan M K, “Verification of Sliding Ratio (C_l/C_d) Of Airfoil Through CFD Analysis”, *Journal of Scientific Research*, Volume 64, Issue 1, 2020.
- [11] Nguyen Minh Triet, Nguyen Ngoc Viet and Pham Manh Thang, “Aerodynamic Analysis of Aircraft Wing”, *VNU Journal of Science: Mathematics – Physics*, Vol. 31, No. 2 (2015).
- [12] Khan MA, Padhy C, Nandish M And Rita K, “Computational Analysis of Bio-Inspired Corrugated Airfoil with Varying Corrugation Angle”, *Journal of Aeronautics & Aerospace Engineering*, Volume 7, Issue 1, (2018).
- [13] Diksha Singh, Radheshyam H. Gajghat, Mrinal Kanti Manik, “Experimental Investigation to Examine the Effect of Shape and Size of Dimples at Suction Surface of Aerofoil”, *International Journal of Scientific & Technology Research* Volume 8, Issue 12, December 2019.
- [14] M.T. Lewthwaite, C.V. Amaechi, “Numerical Investigation of Winglet Aerodynamics and Dimple Effect of NACA 0017 Airfoil for A Freight Aircraft”, *Inventions*, vol. 7 [31], 2022, pp. 1-30, <https://doi.org/10.3390/inventions7010031>.
- [15] Saravanan R, Sharu Sri.K, Sundareswaran.E, Vyshnavi Krishnamoorthy, Sri Balaji S, “Numerical Analysis of Dimple Effect on Airfoils for Varied AoA”, *International Research Journal on Advanced Science Hub (IRJASH)*, Volume 02 Issue 10S October 2020.
- [16] Arvind Mukundan, “Analysis of An Airfoil by Changing the Size, Shape and Location of The Dimple”, *International Journal of Innovative Science and Research Technology*, Volume 4, Issue 11, November – 2019.
- [17] Mohamed Adel El Hady. “A Comparative Study for Different Shapes of Airfoils”, *Journal of Advanced Research in Fluid Mechanics and Thermal Sciences*, Volume 69, Issue 1 (2020), pp. 34-45.
- [18] Bhadri Rajasai, Ravi Tej, Sindhu Srinath, “Aerodynamic effects of dimples on aircraft wings”, *Proc. of The Fourth Intl. Conf. On Advances in Mechanical, Aeronautical and Production Techniques - MAPT 2015*, pp.25-28.

- [19] Satish Geeri, s.p. Surapaneni, J. Sai Raja Chada, Akhil Yuvaraj Manda, "Studies Based on CFD Behaviour of Aerofoil and Regression Analysis", *Engineering Science & Technology*, Volume 3 Issue 1|2022| 55.
- [20] Shivalingaswamy H B, Shivaprasad Panshetty, Shreyas H S, Varun Sanjay, Vinayaka N, "Cfd Analysis of Different Airfoils at Various Angles of Attack", *Easy Chair Preprint*, June 16, 2023.